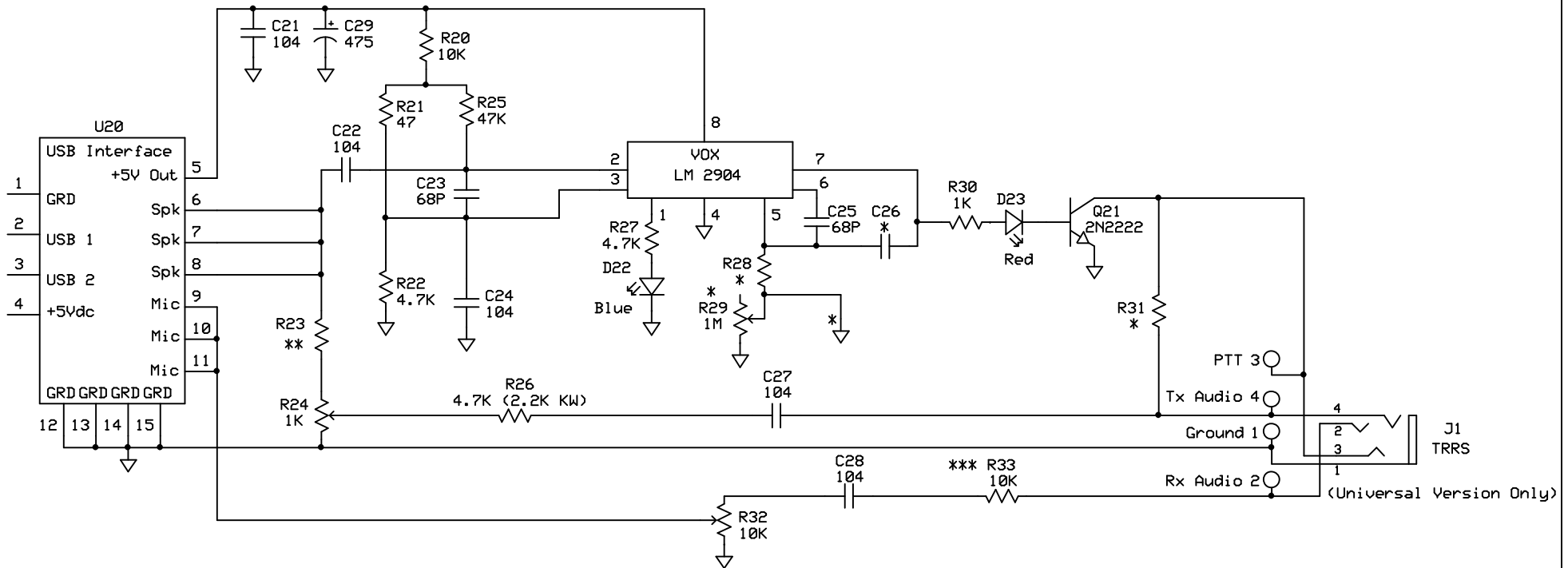


# USB Echolink Adapter



## Radio Connectors

Icom, Alinco	Yaesu (VX)	Mot/Yaesu (Waterproof)	Kenwood	Universal Connector (T,R1,R2,S)
R31 4.7K	R31 2.2K	R31 2.2K	R31 Not Used	R31, Shield- Not Used
1 Ground- Yellow (Black)/Blue	1 Ground- Green	1 Ground- Black/Blue	1 Ground- Black	1 Ground- Green (Shield)
2 Rx Audio- Green (Red)	2 Rx Audio- Red	2 Rx Audio- Red	2 Rx Audio- Red	2 Rx Audio- Red (Tip)
3 N/C	3 N/C- Black	3 N/C	3 PTT- Blue	3 PTT-Black (Ring1)
4 Tx Audio/PTT- Red (White)	4 Tx Audio/PTT- Yellow	4 Tx Audio/PTT- White	4 Tx Audio- White	4 Tx Audio- Yellow (Ring2)

### Notes:

- \* Fixed Tx Delay: C26=334, R28=4.7M, R29 not used
- \* Variable Tx Delay: R28=220K, R29=1M, C26=105.
- \*\* R23 2.2k, 10 on Universal Version
- \*\*\* To reduce input sensitivity install R33 in series with C28
- Alternative Values: R28- 10M, C26- 104
- Advanced Repeater Systems reserves the right to make changes to design.
- Copyright Advanced Repeater Systems 2012

## Advanced Repeater Systems

### USB Echolink Adapter

Designed by: M Bush	Rev 1.2 11-12	Page 1 of 1
	8/19/2012	